

Garage Installation Instructions

VROOM™

Garage Installation Kit includes:

Nuts, Bolts, Garage Mounting Bracket

Tools Required:

Ladder, Screw Gun, Socket, Nut Driver, Wrench, Hack-Saw, Stud Finder, Tape Measure, Pencil.

L Brackets used for installation are not included in the kit



Step 1: Determine Vroom location.

For one door, two car garage the ideal spot is in the middle near the opener.

For two door, two car garage the ideal spot is in the middle between the two doors.

For one car garage the ideal spot is to one side of the opener.

Step 2: Find ceiling studs using a stud finder.

Step 3: Cut L Brackets

Cut one L bracket 26" long and secure to 2 studs with lag bolts. (Illustration A)

Step 4: Determine finished hanging height of Vroom (will vary depending on ceiling height)

The distance from hose handle to ground varies based on automobile type and height of user. Position Vroom with allowable clearance when vehicle is parked inside of garage.

Use the finished hanging height to determine and cut length of (2) more L brackets. Secure Vroom mount to L bracket mounted on ceiling. (Illustration B)

Step 5: Cut 2 more L bracket lateral supports

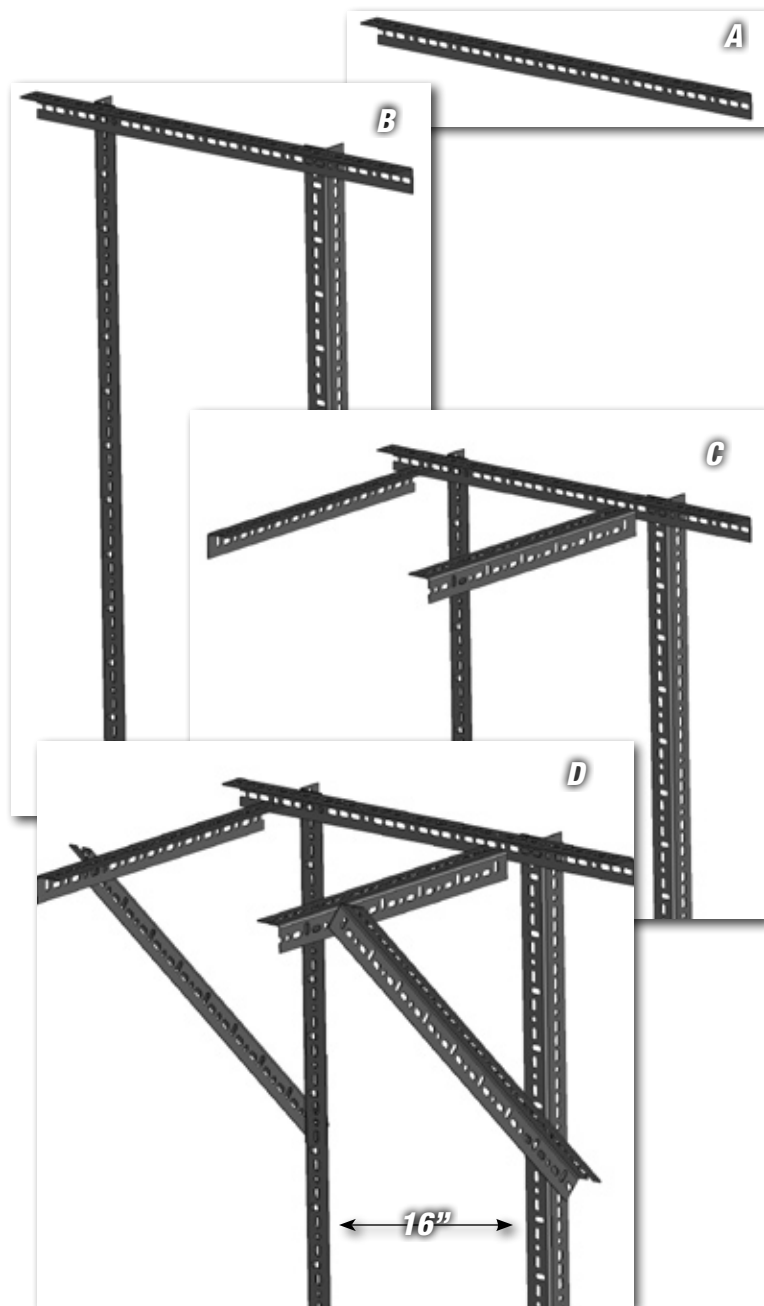
Create a "C" on the ceiling. (Length of L brackets will vary depending on how long bracket connectors are.) (Illustration C)

Step 6: Secure L bracket lateral supports to studs

Use lag bolts. If unable to secure to a stud, use adequate (auger style) wall anchors.

Step 7: Cut 2 more L bracket angle supports

Secure from L bracket connectors to L bracket lateral supports (see illustration D). Length will vary depending on height.



Continued on back side...

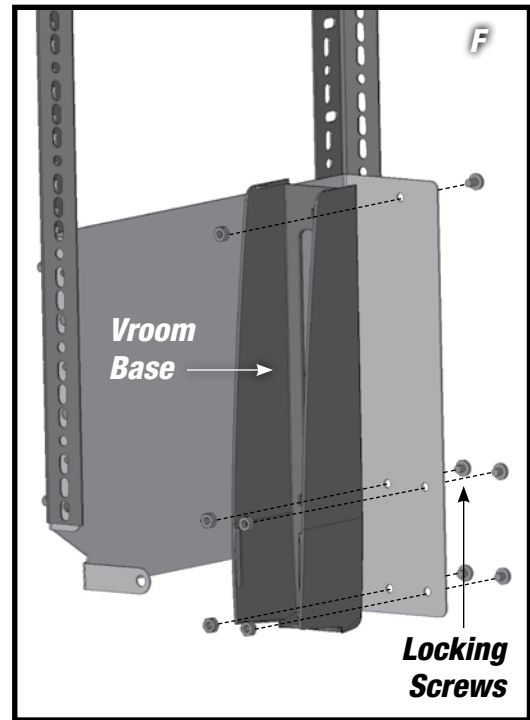
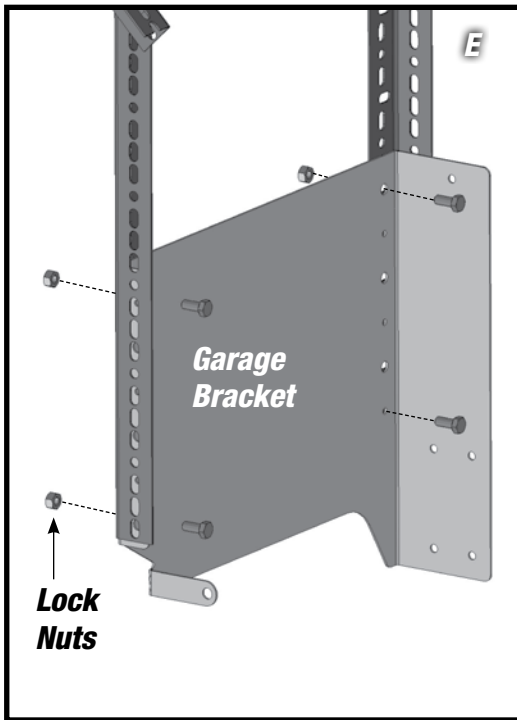
Step 8: Attach Garage Bracket to "L" bracket with four (5/16") bolts and four lock nuts, included. (Illustration E)

Step 9: Mount Vroom Base to Garage "L" Bracket with five (1/4") steel nuts and locking screws, included. (Illustration F)

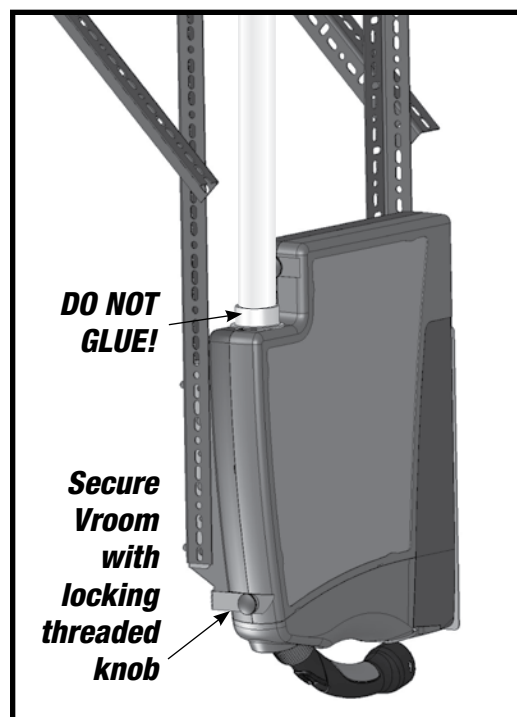
Step 10: Install Vroom and secure front clip on mount to Vroom with thumb screw. **Be sure to use locking screws & hardware provided** with Vroom Garage Bracket to secure Vroom to bracket. (Illustration G)

Step 11: Connect low voltage wire and vac tubing

Do not glue fittings to Vroom stem.



*Properly
Installed
Vroom!*



Vroom® is manufactured by:
H-P Products, Inc.,
Louisville, OH 44641
1-800-822-8356
www.VroomYourRoom.com

Part #9411